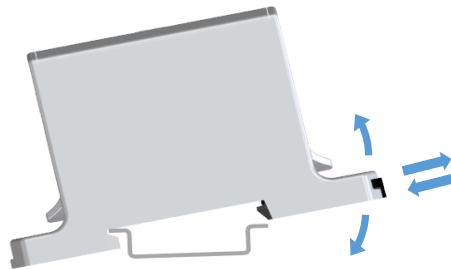


Product data							
Product code	Product name	I <sub>n Al</sub>	I <sub>n Cu</sub>	U <sub>n</sub>	US specific		
					I <sub>max Al</sub>	I <sub>max Cu</sub>	U <sub>max</sub>
VC05-0031	OTL-connector 2xAl/Cu 150mm <sup>2</sup> (Grey)	580 A	640 A	1000 V	-	-	-
VC05-0032	OTL-connector 2xAl/Cu 150mm <sup>2</sup> (Blue)	580 A	640 A	1000 V	-	-	-
VC05-0033	OTL-connector 2xAl/Cu 150mm <sup>2</sup> (Yellow/Green)	580 A	640 A	1000 V	-	-	-

**Installation**

Type	<b>DIN-rail and screw (M5) mounting</b>
------	---

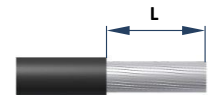
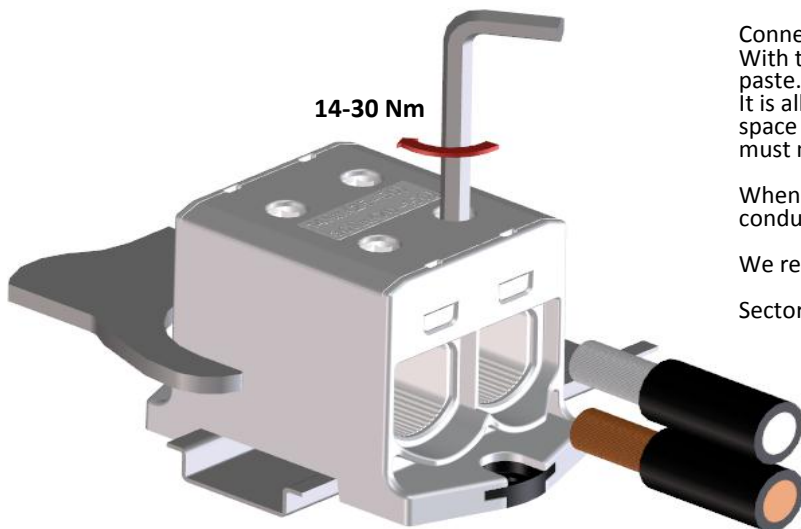


**DIN-rail mounting**  
Set the connector to DIN-rail.  
See picture. Push until "click"  
**Removing**  
Release the slider and lift connector

**Screw mounting**  
Use max. Ø5 mm screw.  
See picture .


**Connection**

Screw	Thread	<b>M16</b>	Tightening torque	25-50 mm <sup>2</sup>	<b>14 Nm</b>	Stripping length L	<b>20 mm</b>	
		<b>SW</b>		6	70-150 mm <sup>2</sup>			<b>30 Nm</b>
					-			-
					-			-
			Max. Wire cross section	<b>150 mm<sup>2</sup></b>				


**Installation**


Connector can be used for both **copper- or aluminium conductors**.  
With the Al-conductors, It's recommended to use anti-corrosion paste. (e.g. Penetrox).  
It is allowed to use max. of three adjacent cross sections in one space (Copper conductors). The nominal max. cross-section value must not be exceeded.

When used Al-conductors, it is allowed to use only one conductor/space.

We recommend a ferrule when using a fine-stranded conductor.

Sector shaped conductors must be pre-rounded before installation.

Each protective or neutral conductor must have their own conductor space. SFS 6000:2007 clause 810.7

**Cross section and max. number of Cu- conductors / space (Al- conductors in parenthesis)**

1,5 mm <sup>2</sup>	2,5 mm <sup>2</sup>	6 mm <sup>2</sup>	10 mm <sup>2</sup>	16 mm <sup>2</sup>	25 mm <sup>2</sup>	35 mm <sup>2</sup>	50 mm <sup>2</sup>	The specified max. amount of conductors refers only to industrially installed terminals.		
-	-	-	-	-	<b>3 (1)</b>	<b>3 (1)</b>	<b>3 (1)</b>			
			70 mm <sup>2</sup>	95 mm <sup>2</sup>	120 mm <sup>2</sup>	150 mm <sup>2</sup>	185 mm <sup>2</sup>	240 mm <sup>2</sup>	300 mm <sup>2</sup>	400 mm <sup>2</sup>
			<b>2 (1)</b>	<b>1 (1)</b>	<b>1 (1)</b>	<b>1 (1)</b>	-	-	-	-