

**Product data**

|              |                                 |          |                |          |                      |
|--------------|---------------------------------|----------|----------------|----------|----------------------|
| Product code | <b>VC06-0014</b>                | STK-code | <b>1912318</b> | EAN-code | <b>6410019123180</b> |
| Product name | Device connector 1xAl/Cu 6-50 M |          |                |          |                      |
| Wires        | 1xAl/Cu 6-50 mm <sup>2</sup>    |          |                |          |                      |

**Technical data**

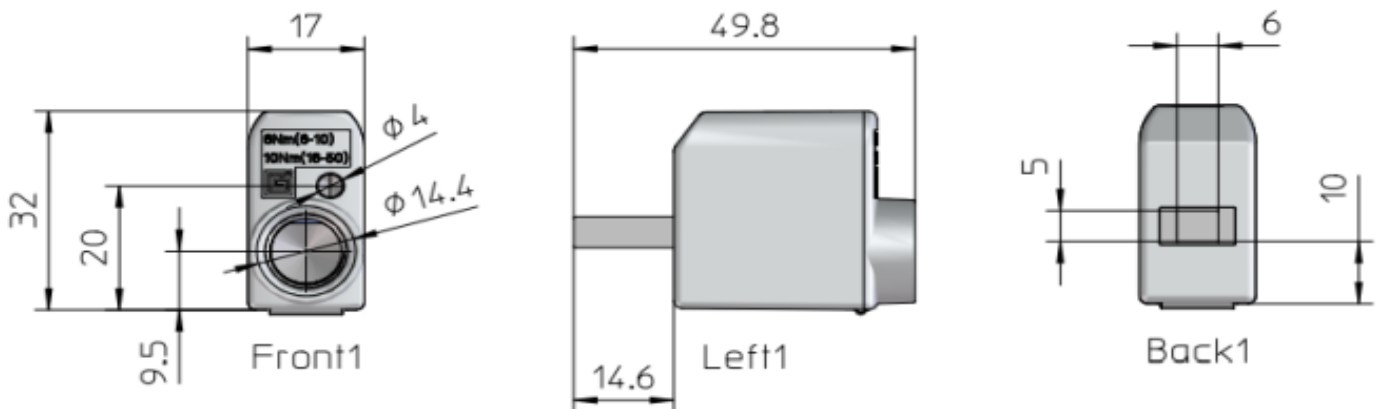
|                            |   |             |                 |
|----------------------------|---|-------------|-----------------|
| Nominal current            | Cu  | <b>160</b>  | A               |
|                            | Al  | <b>100</b>  | A               |
| Nominal voltage            |   | <b>690</b>  | V               |
| Max. Current (US)          | Cu  | -           | A               |
|                            | Al  | -           | A               |
| Max. Voltage (US)          |   | -           | V               |
| Number of pole             |   | <b>1</b>    | pcs             |
| Max. Cross section         |   | <b>50</b>   | mm <sup>2</sup> |
| Tightening torque          | 6-10 mm <sup>2</sup>                                    | <b>6</b>    | Nm              |
|                            | 16-50 mm <sup>2</sup>                                   | <b>10</b>   | Nm              |
|                            |   | -           | Nm              |
|                            |   | -           | Nm              |
| Max. Operating temperature |   | <b>80</b>   | °C              |
| Weight                     |   | <b>24</b>   | g               |
| IP-protection              |   | <b>IP20</b> |                 |
| Standards                  | <b>EN 61238-1:2003 ; EN 60947-7-1:2009</b>              |             |                 |
| Color/ Material            | <b>Grey Housing RAL 7035/PA66, Tin plated Aluminium</b> |             |                 |
| Mounting/ Connection       | <b>Screw</b>  |             |                 |



**Description**

Device connector is a universal terminal series for connecting Al- and Cu-conductors to equipment. Body is made of tin-plated aluminium and housing is polyamid. This model includes measurement connector for up to 2,5mm<sup>2</sup> cross section conductor.

**Drawing**



**Package**

|             |            |               |            |             |             |
|-------------|------------|---------------|------------|-------------|-------------|
| Package     | <b>Box</b> | Pcs / Package | <b>50</b>  | Weight [kg] | <b>1,30</b> |
| Length [mm] | <b>210</b> | Width [mm]    | <b>155</b> | Height [mm] | <b>105</b>  |