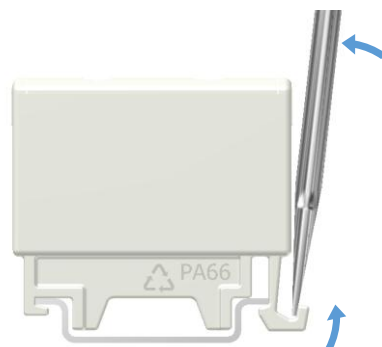
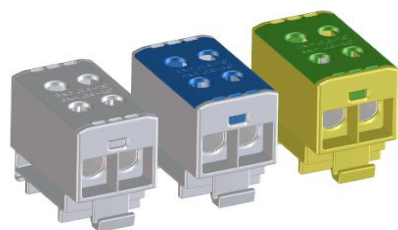


Product data							
Product code	Product name	$I_{n\ Al}$	$I_{n\ Cu}$	U_n	$I_{max\ Al}$	$I_{max\ Cu}$	U_{max}
VC05-0153	OTL-connector 2xAl/Cu 2,5-35mm ² (Grey)	120 A	135 A	1000 V	-	-	-
VC05-0154	OTL-connector 2xAl/Cu 2,5-35mm ² (Blue)	120 A	135 A	1000 V	-	-	-
VC05-0155	OTL-connector 2xAl/Cu 2,5-35mm ² (Yellow Green)	120 A	135 A	1000 V	-	-	-

Installation

Type **DIN-rail mounting**

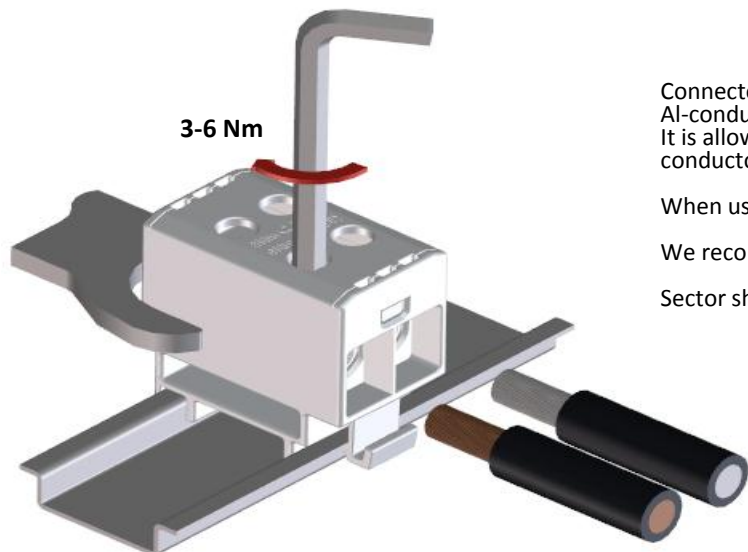
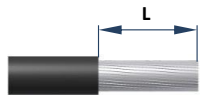


DIN-rail mounting
Set the connector to DIN-rail.
See picture. Push until "click"

Removing from DIN-rail
Release the plastic snap with screwdriver. Lift the connector.

Connection

Screw	Thread	M8	Tightening torque	2,5-16 mm ²	3 Nm	Stripping length L	15 mm
	SW	4		25-35 mm ²	6 Nm		
				-	-		
			Max. Wire cross section	35 mm²			



Installation

Connector can be used for both **copper- or aluminium conductors**. With the Al-conductors, it's recommended to use anti-corrosion paste. (e.g. Penetrox). It is allowed to use max. of three adjacent cross sections in one space (Copper conductors). The nominal max. cross section value must not be exceeded.

When used Al-conductors, it is allowed to use only one conductor/space.

We recommend a ferrule when using a fine-stranded conductor.

Sector shaped conductors must be pre-rounded before installation.

Each protective or neutral conductor must have their own conductor space. SFS 6000:2007 clause 810.7

Cross section and max. number of Cu- conductors / space (Al- conductors in parenthesis)

1,5 mm ²	2,5 mm ²	6 mm ²	10 mm ²	16 mm ²	25 mm ²	35 mm ²	50 mm ²	The specified max. amount of conductors refers only to industrially installed terminals.		
-	3 (1)	3 (1)	3 (1)	2 (1)	1 (1)	1 (1)	-			
			70 mm ²	95 mm ²	120 mm ²	150 mm ²	185 mm ²	240 mm ²	300 mm ²	400 mm ²
			-	-	-	-	-	-	-	-