

Product data

Product code	VC05-0234	STK-code	1912361	EAN-code	6410019123616
Product name	OTL-connector 3xAl/Cu 6-95mm ² (Grey)			ETIM class	EC000276
Wires	3xAl/Cu 6-95mm ²				

Technical data

Nominal current (IEC)	Cu	245	A
	Al	220	A
Nominal voltage (IEC)		1000	V
Max. Current (US)	Cu	230	A
	Al	180	A
Max. Voltage (US)		600	V
Number of poles		1	pcs
Max. Cross section		95	mm ²
Tightening torque			
	6-25 mm ² (3-10 AWG)	12	Nm
	35-95 mm ² (4/0-2 AWG)	22	Nm
		-	
		-	
Max. Operating temperature		80	°C
Weight		178	g
IP-protection		IP20	



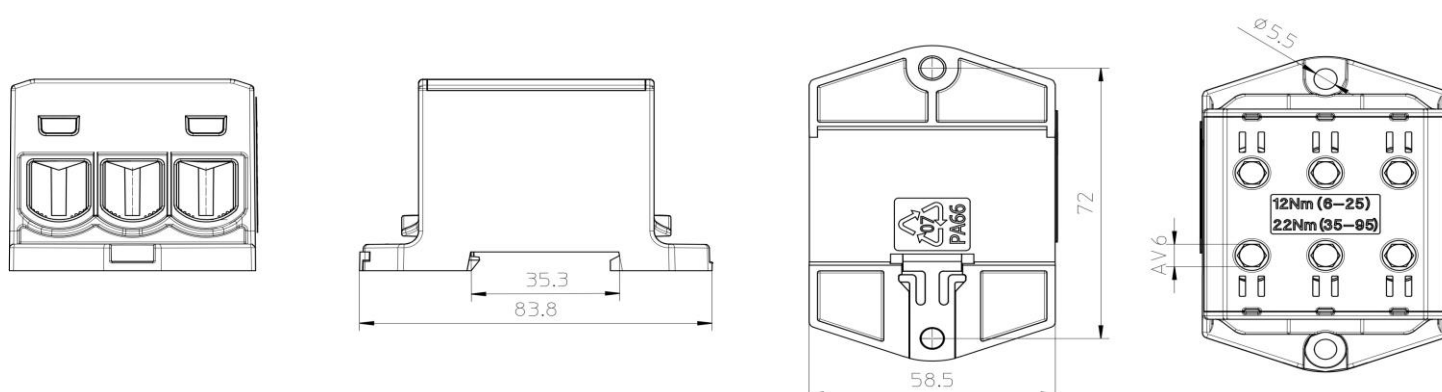
Standards **EN 61238-1; EN60947-7-1; UL1059**

Color / Material **Grey RAL 7035/ PA66-V0**

Mounting / Connection **DIN-rail and screw (M5) mounting**

Description

OTL-connectors are designed for connecting and branching aluminium and copper conductors. The body is made of tin plated aluminium. Housing is made of UL94 V0 class polyamide.

Drawing

Package

Package	Box	Pcs / Package	6	Weight [kg]	1,17
Length [mm]	202	Width [mm]	128	Height [mm]	95

Ouneva Oy

Teollisuustie 21
 FI-82730 Tuupovaara
 Finland

Tel. +358 400 179 750
info@ouneva.fi

www.ounevagroup.fi
www.ounevaproducts.fi