

Product data

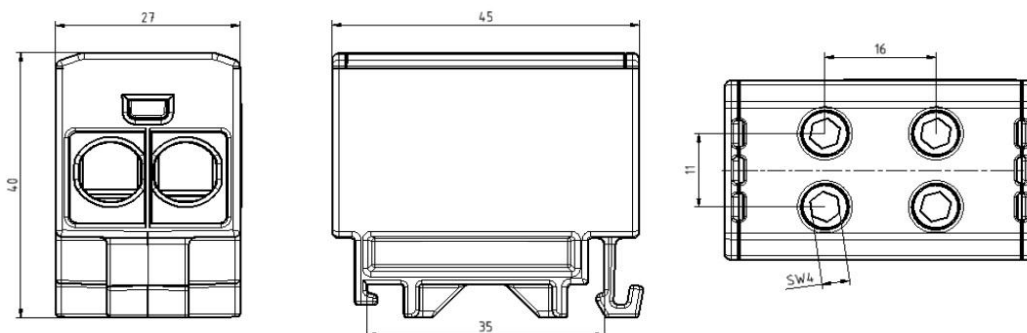
Product code	VC05-0154	STK-code	1912074	EAN-code	6410019120745
Product name	OTL-connector 2xAl/Cu 2,5-35mm ² (Blue)				
Wires	2xAl/Cu 2,5-35mm ²				

Technical data

Nominal current	Cu	135	A
	Al	120	A
Nominal voltage		1000	V
Max. Current (US)	Cu	-	A
	Al	-	A
Max. Voltage (US)		-	V
Number of pole		1	pcs
Max. Cross section		35	mm ²
Tightening torque	2,5-16 mm ²	3	Nm
	25-35 mm ²	6	Nm
	-	-	Nm
	-	-	Nm
Max. Operating temperature		80	°C
Weight		44	g
IP-protection		IP20	
Standards	EN 61238-1:2003 ; EN 60947-7-1:2009		
Color/ Material-flame rating	Blue RAL 5015/ PA66-V0		
Mounting/ Connection	DIN-rail mounting		


Description

OTL-connectors are designed to be used connecting and branching aluminium and copper conductors. The body is made of tin plated aluminium.

Drawing

Package

Package	Box	Pcs / Package	18	Weight [kg]	0,90
Length [mm]	85	Width [mm]	144	Height [mm]	85